

KLU 100 - Outdoor humidity transmitter



KLU 100 temperature and humidity transmitters are designed for outdoor applications. The transmitter has a capacitive sensor that detects relative air humidity and an NTC10 sensor for temperature measurement. A sintered plastic filter protects the sensor elements.

Technical specifications

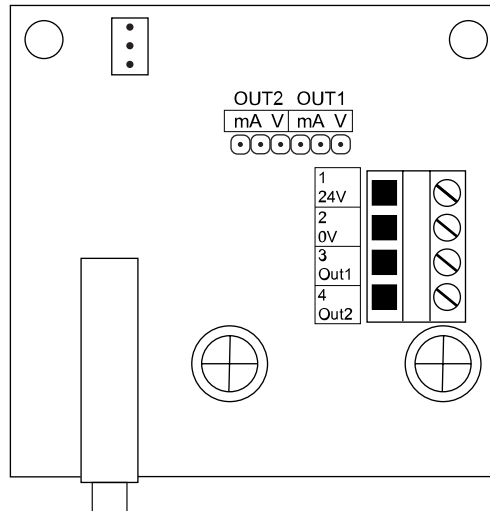
Property	Value
Supply	24 Vac/dc (15...28 V) < 1 VA
Humidity measurement	
Range	0...100 %rH
Accuracy (25 °C)	±2 %rH (0...90 %rH)
Sensor	capacitive
Temperature measurement	
Range	-50...50 °C
Accuracy (0 °C)	±0.5 °C
Sensor	NTC10
Outputs	
Humidity	0...10 Vdc, 2 mA / 4...20 mA < 600 Ω
Temperature	0...10 Vdc, 2 mA / 4...20 mA < 600 Ω
Outputs with 15...18 Vdc supply	4...20 mA < 375...525 Ω (+Vdc-7.5 V)/20 mA
Operating conditions	
Temperature	-50...50 °C
Long term stability	±5 %rH / 2 years
IP protection class	
Housing	IP54, cable entry downwards
Sensor	IP5X
Cable gland	M16
Dimensions (w x h x d)	106 x 113 x 46 mm

Property	Value
Weight	145 g
Materials	
Housing	PC
Cover	PC

Wiring





CAUTION: Device wiring and commissioning can only be carried out by qualified professionals. Always make the wirings while the power is switched off.



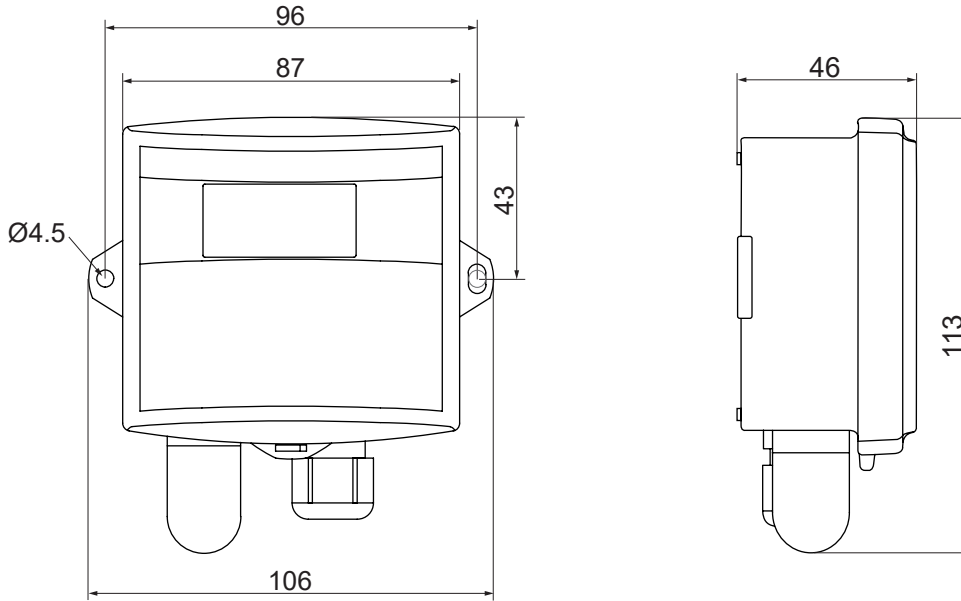
24V	24 Vac/dc, < 1 VA supply
0V	0 V
Out1	Output 1: humidity output (%rH), 0...10 Vdc, 2 mA / 4...20 mA
Out2	Output 2: temperature output (°C), 0...10 Vdc, 2 mA / 4...20 mA

Ordering information

	Model	Product number	Description
	KLU 100	1132250	outdoor humidity transmitter
	KLU 100-N	1132251	outdoor humidity transmitter with display

Dimensions

All dimensions are in millimeters (mm).



Supported standards and directives

Standard	Description
2014/30/EU	Electromagnetic Compatibility (EMC).
2011/65/EU	Restriction of Hazardous Substances (RoHS2) Directive.
(EU) 2015/863	Commission Delegated Directive, amending Annex II to Directive 2011/65/EU.
S.I. 2016 No. 1091	Electromagnetic compatibility regulations
S.I. 2012 No. 3032	The restriction of the use of certain hazardous substances in electrical and electronic equipment regulations
EN 61000-6-3:2007/A1:2011	Electromagnetic compatibility (EMC) - Part 6-3: Generic standards - Emission standard for residential, commercial and light-industrial environments.
EN 61000-6-2:2006	Electromagnetic compatibility (EMC) - Part 6-2: Generic standards - Immunity for industrial environments.