

TG-AHI/...

Clamp-on sensor with housing



Clamp-on sensor for surface temperature measurement.

- ✓ Easy to mount with the included metal straps
- ✓ Modern design and compact format
- ✓ Large contact surface gives good temperature readings

Application

The clamp-on sensor measures the media temperature on the outside surface of the pipe. It can be used for a wide range of applications since there are models with different sensor elements.

Function

The pipe media heats or cools the pipe wall and the clamp-on sensor tracks its temperature. It provides very good temperature readings due to its large contact surface with the pipe.

Installation

The clamp-on sensor is easily fixed to the pipe with the included accessories. It is designed to be used on pipes of various sizes.

The terminal block for connecting the analog input to a controller is located under the cover. The cover is easily removed from the base with a twist.

HEAD OFFICE SWEDEN

Phone: +46 31 720 02 00

Web: www.regincontrols.com

E-mail: info@regincontrols.com

TG-AHI/...

— | —

Technical data

Protection class	IP42 (or IP40, depending on the mounting position)
Time constant	5 s
Measuring range, temperature	-20...+120 °C
Cable gland	M16
Weight (incl. packaging)	0.09 kg
Dimensions, external (WxHxD)	93 x 70 x 35 mm
Accessories, included	One metal strap (40 cm) and heat-conductive paste (art.nr: PASTA-20)



This product carries the CE-mark. More information is available at www.regincontrols.com.

Material

Material, housing	Polycarbonate (PC)
Material, base	Polycarbonate (PC)
Material, metal strap	Stainless steel, SUS304
Material, clamp-on element	Copper

Models

Article	Sensor element	Nominal resistance	Equivalent
TG-AH1/PT100	PT100	100 Ω (0°C)	-
TG-AH1/PT1000	PT1000	1000 Ω (0°C)	-
TG-AH1/NTC1.8	NTC 1.8	1800 Ω (25°C)	TAC
TG-AH1/NTC2.2	NTC 2.2	2252 Ω (25°C)	Johnson Controls
TG-AH1/NTC10-01	NTC 10	10 kΩ (25 °C)	Aquatrol - Johnson Controls - Satchwell - Trend - Cylon - Honeywell - Distech
TG-AH1/NTC10-02	NTC 10	10 kΩ (25 °C)	Carel - Evco - Eliwell - AB Industrietechnik
TG-AH1/NTC10-03	NTC 10	10 kΩ (25 °C)	Andover - Delta Controls - Siebe - York
TG-AH1/NTC20	NTC 20	20 kΩ (25°C)	Honeywell
TG-AH1/NI1000-01	Ni1000	1000 Ω (0 °C)	Siemens - Landis & Staefa
TG-AH1/NI1000-02	Ni1000	1000 Ω (0 °C)	Sauter

Accessories

Article	Description
PASTA-20	Heat-conductive paste in tube, 20 g

HEAD OFFICE SWEDEN

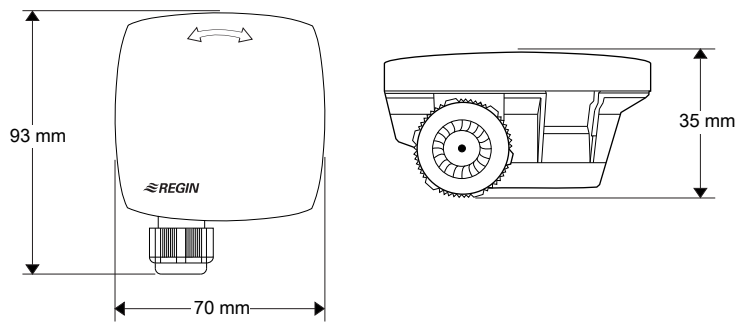
Phone: +46 31 720 02 00

Web: www.regincontrols.com

E-mail: info@regincontrols.com

TG-AH1/...

Dimensions



Documentation

All documentation can be downloaded from www.regincontrols.com.