



RVAN...-24

Valve actuator, 24 V supply voltage and 3-point control

Valve actuator for control of Regin's range of valves. Available in models with actuator force of 500, 1000, 1800 or 2500 N. The actuators can be operated manually with the manual override mechanism on the lid. Using an adapter kit, the actuator can also be adapted for use with other valves on the market.

- ✓ Protection class IP54
- ✓ Stroke 10...30 mm (500 N, 1000 N), 10...52 mm (1800 N, 2500 N)
- ✓ Manual operation
- ✓ Position indication
- ✓ Force 500...2500 N

Stroke and end position calibration

Stroke and end position calibration is not necessary due to a construction utilizing end position stops. When the valve reaches the end position, a force is generated. Once the force of the actuator reaches a predefined level, the limit switch automatically halts the drive motor.

Position indications

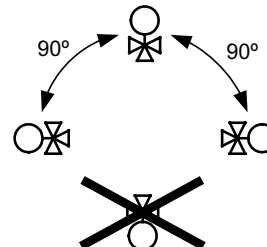
There are two position indications for the stem, one red and one blue. They can be used for end position indication, since they accompany the stem to its end position. They can also be switched to indicate whether the valve is opening or closing.

Manual override

The valve position can be changed manually using the knob located in the actuator lid.

Installation

The valve and actuator should never be mounted at an angle of more than 90°.



Technical data

Supply voltage	24 V AC
Control signal	3-point
Stroke time	3 s/mm
Ambient temperature	0...50
Storage temperature	-40...80 °C
Ambient humidity	10...90 % RH
Protection class	IP54

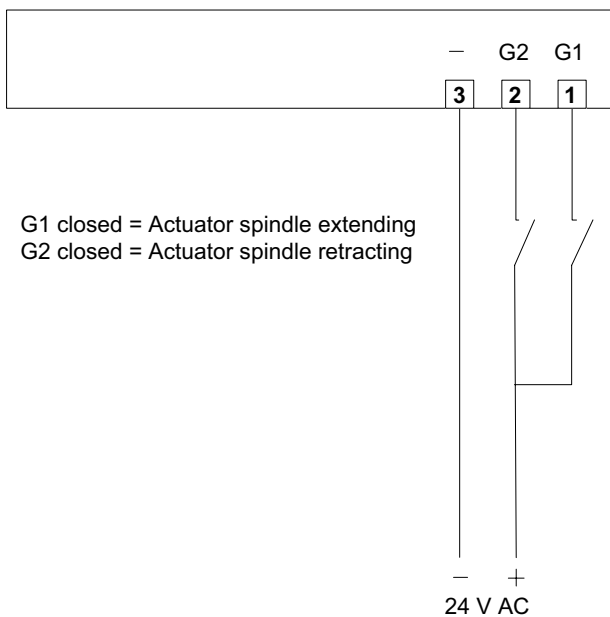
Models

Article	Max. power consumption	Force	Stroke
RVAN5-24	7.8 W / 8.0 VA	500 N	10...30 mm
RVAN10-24	6.2 W / 6.7 VA	1000 N	10...30 mm
RVAN18-24	10.9 W / 11.7 VA	1800 N	10...52 mm
RVAN25-24	10.9 W / 11.7 VA	2500 N	10...52 mm

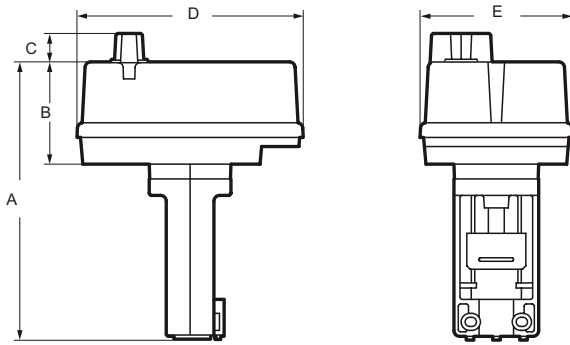
CE

This product is CE-marked. More information is available at www.regincontrols.com.

Wiring



Dimensions



Model	A	B	C	D	E
RVAN5-24	237	95	16	150	85
RVAN10-24	248	95	16	198	133
RVAN18-24	293	95	16	198	133
RVAN25-24	293	95	16	198	133

Measurements in mm unless otherwise specified.