



RVAN...-24A

Valve actuator, 24 V supply voltage and 0(2)...10 V DC control

Valve actuator with automatic stroke adjustment for control of Regin's range of valves. Available in models with actuator force of 500, 1000, 1800 or 2500 N. The actuators can be operated manually with the manual override mechanism on the lid. Using an adapter kit, the actuator can also be adapted for use with other valves on the market.

- ✓ Protection class IP54
- ✓ Stroke 10...30 mm (500 N, 1000 N), 10...52 mm (1800 N, 2500 N)
- ✓ Manual operation
- ✓ Automatic stroke adjustment
- ✓ Position indication
- ✓ Force 500...2500 N

Stroke and end position calibration

Stroke and end position calibration is not necessary due to a construction utilizing end position stops. When the valve reaches the end position, a force is generated. Once the force of the actuator reaches a predefined level, the limit switch automatically halts the drive motor.

Position indications

There are two position indications for the stem, one red and one blue. They can be used for end position indication, since they accompany the stem to its end position. They can also be switched to indicate whether the valve is opening or closing.

Manual override

The valve position can be changed manually using the knob located in the actuator lid.

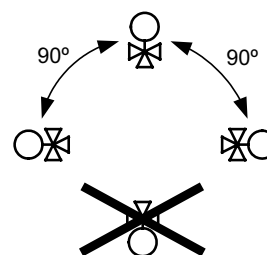
Indications

The actuator has two LEDs with indications according to the table below.

Indication	Description
Green steady light	Actuator working properly
Green light quick flashing	Test run in progress
Green light slow flashing	The setting was changed during the operation. The new setting will be valid after the next power on.
Red and green steady light	End position reached
Red light slow flashing	Override operating mode
Red steady light	Operation faulty, either the improper installation or the valve stroke lost

Installation

The valve and actuator should never be mounted at an angle of more than 90°.



Technical data

Supply voltage	24 V AC/DC
Control signal	0...10 V DC, 2...10 V DC or 4...20 mA. For 4...20 mA control signal, a 500 Ω resistor must be mounted parallel to the input signal, i.e. between terminals 2 and 3. SW3 should be in position 1 (On).
Ambient temperature	0...50
Storage temperature	-40...80 °C
Ambient humidity	10...90 % RH
Protection class	IP54

Models

Article	Max. power consumption	Force	Stroke	Stroke time
RVAN5-24A	5.1 W / 13.9 VA	500 N	10...30 mm	1.5 s/mm
RVAN10-24A	6.2 W / 17.4 VA	1000 N	10...30 mm	1.5 s/mm
RVAN18-24A	8.6 W / 22.4 VA	1800 N	10...52 mm	3 s/mm
RVAN25-24A	8.6 W / 22.4 VA	2500 N	10...52 mm	3 s/mm

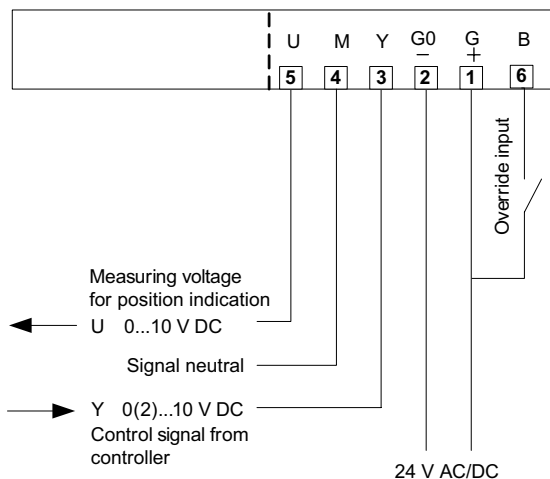
CE

This product is CE-marked. More information is available at www.regincontrols.com.

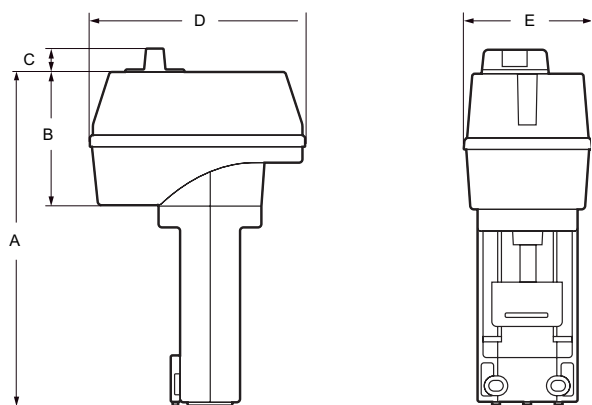
DIP switches

SW	1 (On)	0 (Off)
SW1	Spindle down when the valve is closed	Spindle up when the valve is closed (FS=factory setting)
SW2	LOG	LIN (FS)
SW3	Y = 2...10 V DC	Y = 0...10 V DC (FS)
SW4	Reverse operation	Direct operation (FS)
SW5	Y signal split in accordance with the setting of SW5	No split function (FS)
SW6	5(6)...10 V = 0...100%	0(2)...5(6) V = 0...100% (FS)

Wiring



Dimensions



Model	A	B	C	D	E
RVAN5-24A	237	95	16	150	85
RVAN10-24A	248	95	16	198	133
RVAN18-24A	293	95	16	198	133
RVAN25-24A	293	95	16	198	133

Measurements in mm unless otherwise specified.